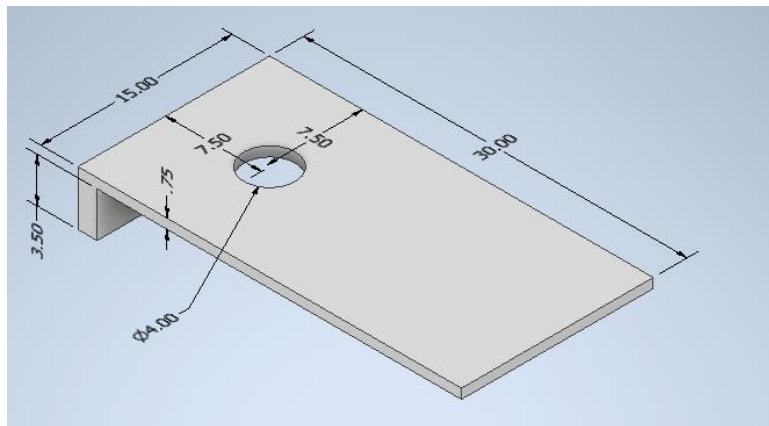




STEM Wars 2026 Catapult Cornhole

Event Coordinator:

- Dan Thomas
- coachthomas@gmail.com
- Please contact him with any questions.



Materials: $\frac{3}{4}$ " Plywood Wood with 2"x4" attached (1/3 scale cornhole board)

Toss Bags will be 2" Bags weighing 21 grams or 0.7 oz

https://www.amazon.com/dp/B07XXVFW7Y?psc=1&ref=ppx_yo2ov_dt_b_product_details

**You may bring your own bags for competition as long as they weigh the same.*

Level of Competition: High School and Middle School



Objective: Design a catapult that can score the most points by shooting 10 bean bags into the center hole of a cornhole board. The cornhole board will be 15" x 30" with a 4" hole. (Roughly 1/3 scale of full size board).

Layout- The court will be 6' x 10' wide. The cornhole will be positioned at the back of the 10 foot area. The catapult will be placed along the backside of the court in front of the cornhole board.

Scoring: 1 Point for each bag on the board and 3 points for each bean bags in the hole.

General Rules:

- Teams will consist of one to four students.
- The catapult may be composed of any safe material.
- The catapult, in its entirety, must fit within a 2' x 2' x 2' box. When firing, parts of the catapult may extend beyond this volume, but may not touch the ground outside the launch area.
- The pocket (sling) of the catapult MUST stay attached to the throwing arm.
- Catapults must be safe and controllable. Participants are responsible for the safety of the operation of their design. Prior to competition, judges will disqualify any catapult that appears unsafe.
- All students firing catapults must be wearing safety glass. No safety glasses will be provided, make sure you bring your own safety glasses. If you don't bring safety glasses you will not participate.
- Crossbow/Slingshot/Ballista type of throwing devices will NOT be allowed.
- Your design must incorporate a rotating arm to "throw" the beanbag from the device.
- The energy source for your catapult can only be one or a combination of the following:
 - 5lbs of weight
 - Masonry line or string of any type
 - Rubber bands
 - Surgical tubing

Catapults from previous STEM Wars cannot be used.